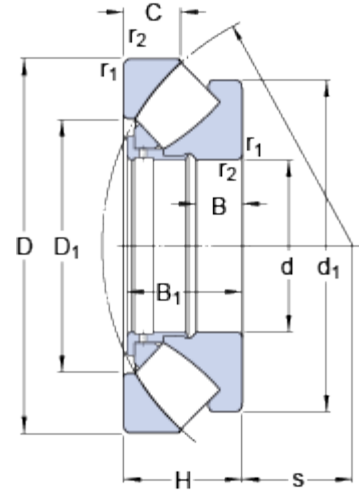


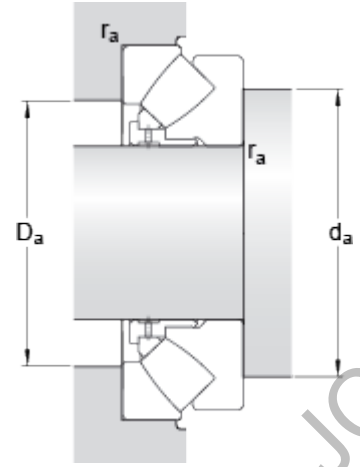
29476 EM

Dimensions



$d$	380	mm
$D$	670	mm
$H$	175	mm
$d_1$	≈ 610	mm
$D_1$	≈ 494	mm
$B$	67	mm
$B_1$	168	mm
$C$	87.5	mm
$s$	222	mm
$r_{1,2}$	min. 7.5	mm

Abutment dimensions



$d_a$	min. 525	mm
$D_a$	max. 580	mm
$r_a$	max. 6	mm

Calculation data

Basic dynamic load rating	$C$	6800	kN
Basic static load rating	$C_0$	24000	kN
Fatigue load limit	$P_u$	1860	kN
Reference speed		530	r/min
Limiting speed		900	r/min
Minimum axial load factor	$A$	53	

Mass

Mass bearing		260	kg
--------------	--	-----	----